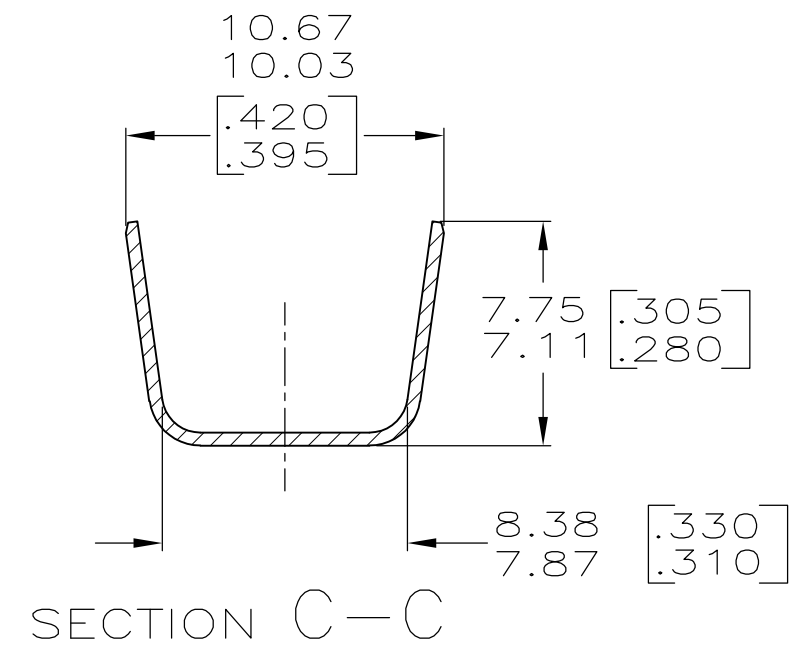
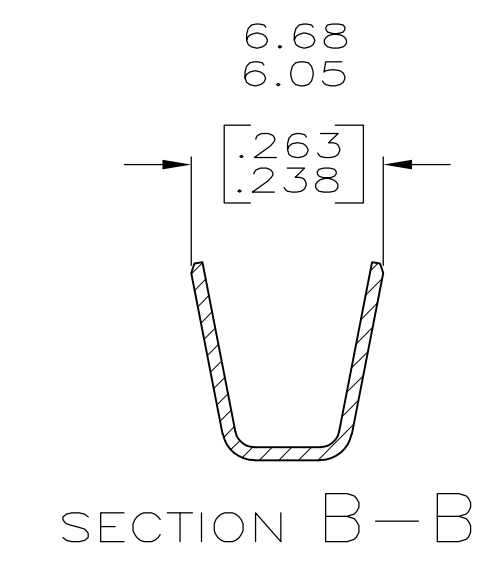
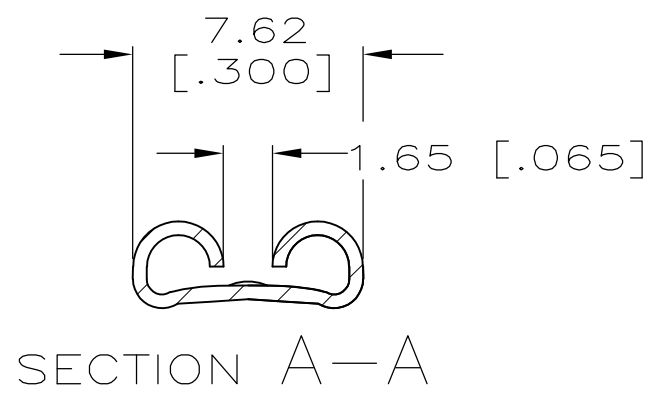
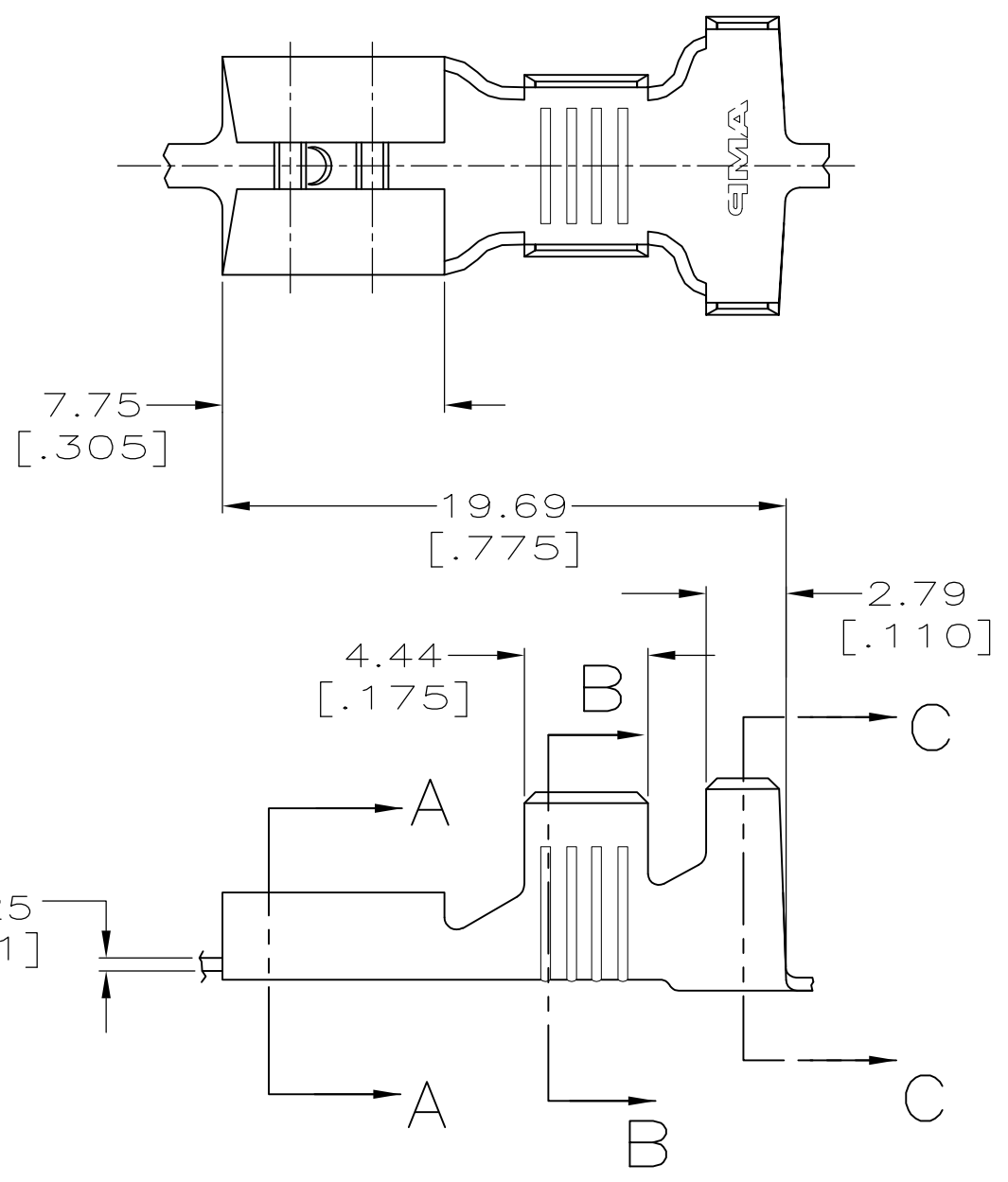


THIS DRAWING IS UNPUBLISHED. RELEASED FOR PUBLICATION
 © COPYRIGHT - By - ALL RIGHTS RESERVED.

LOC	DIST	REVISIONS				
P	LTR	DESCRIPTION	DATE	DWN	APVD	
AF	50					
	G	REVISED PER ECR-12-013459	27NOV2012	KH	PD	

1 CONTINUOUS STRIP ON REELS.



TIN	[.230-.280 OR (2) .160] 5.84-7.11 OR (2) 4.06	[#10-#8] OR (2) {#12's}	0.813±0.025 [.032±.001]	62998-2
FINISH	INSULATION RANGE	WIRE SIZE	MATING TAB THICKNESS	PART NO

THIS DRAWING IS A CONTROLLED DOCUMENT.		DWN JR RUTH 3/15/95	STE TE Connectivity		
DIMENSIONS: mm [INCHES]		CHK MS FEHER 3/15/95			
TOLERANCES UNLESS OTHERWISE SPECIFIED:		APVD P DESANTIS 3/15/95	NAME RECEPTACLE, FASTON, 6.35 [.250] SERIES		
0 PLC ± - 1 PLC ± - 2 PLC ± 0.38 [.015] 3 PLC ± - 4 PLC ± - ANGLES ± -		PRODUCT SPEC -	SIZE A3		
MATERIAL BRASS		FINISH SEE TABLE	APPLICATION SPEC 114-2036	CAGE CODE 00779	DRAWING NO C-62998
CUSTOMER DRAWING			WEIGHT -	RESTRICTED TO -	SCALE 4:1
			SHEET 1 OF 1		REV G